



ABLB-2040SR

DESCRIPTION

- 20*40mm bar display series, white diffused
- Standard brightness.
- Low current operation.
- Excellent character appearance.
- Easy mounting on P.C.boards or sockets.

产品最大绝对参数值 Absolute maximum ratings (Ta=25°C)

每段参数 PARAMETER PER SEGMENT	符号 SYMBOL	最大数 MAX	单位 UNIT
反向电压 Reverse Voltage	VR	5	V/Dice
正向电流 Forward Current	IF	20	mA/Dice
峰值电流 (0.1ms) Peak Forward current(1/10 Duty Cycle)	IPEAK	60	mA/Dice
功耗 Power Dissipation	PA	504	mW
工作条件温度 Operating Temperature Range		-25°C to +85°C	
储存温度 Storage Temperature Range		-30°C to +85°C	
距离胶体 1.6mm 焊接, 温度 260°C, 焊接时间最多 3 秒 Lead soldering Temperatur 260°C at 1.6mm Form Body For 3 Seconds			

产品光电参数值 ELECTRICAL/OPTICAL CHARACTERISTICS (Ta=25°C)

参数 PARAMETER	符号 SYMBOL	MIN	TYP	MAX	UNIT	测试条件 Vest condition
单芯亮度 Luminous Intensity	Iv	25	28	30	mcd	IF=20mA
正向电压 Forward Voltage	VF	11.7	12.0	12.6	V	IF=20mA
波长 Wavelength	$\lambda p / \lambda d$		635/ 630		nm	IF=20mA
半波长度 Spectrum width of half value	$\Delta \lambda$		20		nm	IF=20mA
每段反向电流 Reverse Current Per Segment	IR			10	μA	VR=5V

DRAWING NO:

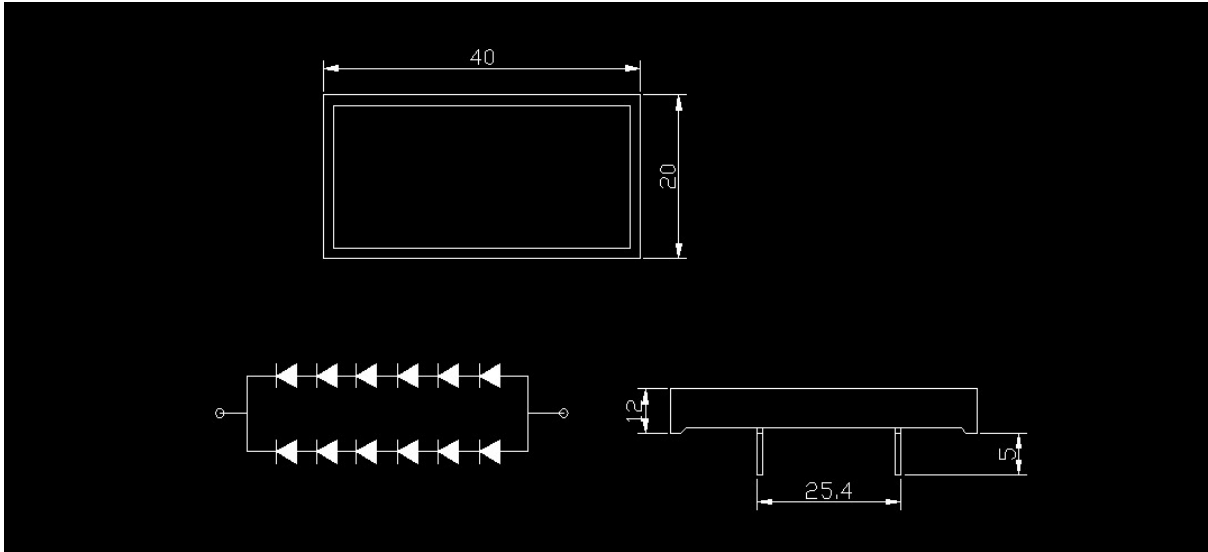
DATE:

2017-11-20

Page:

1

PACKAGE DIMENSIONS



NOTES : 1. All dimensions are in millimeters. (inches)

2. Tolerance is $\pm 0.25(0.010")$ unless otherwise specified.

DRAWING NO.:

DATE:

2017-11-20

Page:

2