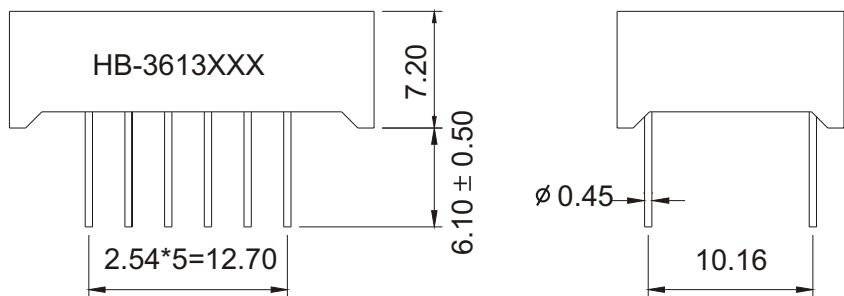
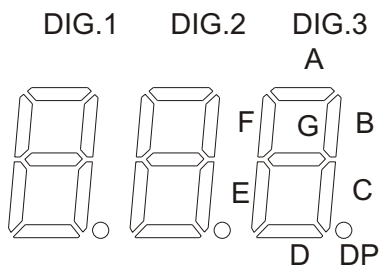
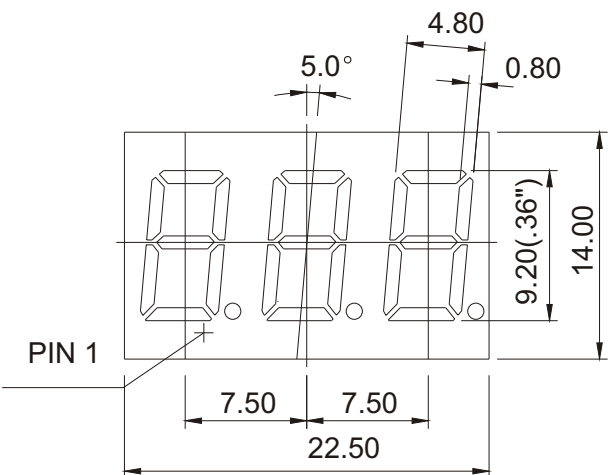




0.36" (9.10mm) Three Digit 7 Segment Display

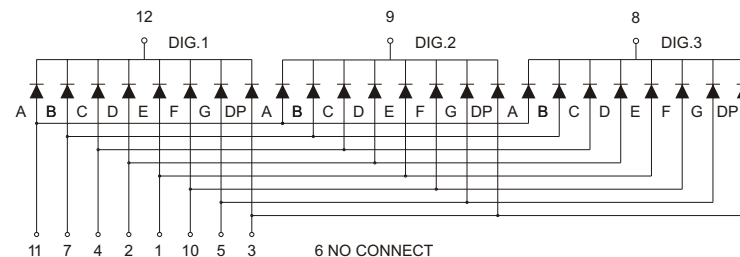
PACKAGE DIMENSION



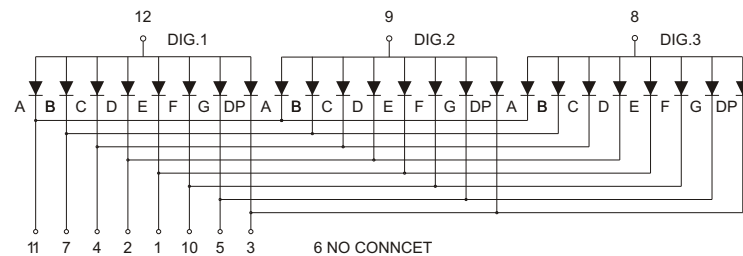
Tolerance ±0.25mm unless stated

INTERNAL CIRCUIT DIAGRAM

Common Cathode HB-3613CXX



Common Anode HB-3613AXX



Checked

Approved

Date

Nov/20/2006

PAGE 2/2