



0.39"(9.90mm)Single Digit Alphanumeric Display

Features:

- *High segment intensity
- *Wide viewing angle
- *Range of colors
- *Black face White segment
- *RoHS compliant

Available option:

- *Alternative face and segment color
- *Alternative font
- *Cropped terminal pins
- *Available emitting color
- *Low current version

Electro/Optical Characteristics $I_f=20mA$ $T_a=25^\circ C$

Part Number Common Cathode	Part Number Common Anode	Emitting Color	Peak Wavelength	Forward Voltage V/Seg.		Luminous Intensity Iv/Seg.	
				Typ.	Max.	Min.	Typ.
SB3981CH-11	SB3981AH-11	GaP/GaP Red	700	2.25	2.50	0.40	0.80
SB3981CSR-11	SB3981ASR-11	GaAlAs/GaAs SH Hi-Red	660	1.80	2.20	8.00	12.00
SB3981CD-11	SB3981AD-11	GaAlAs/GaAs DH Super Red	660	1.80	2.20	22.00	28.00
SB3981CE-11	SB3981AE-11	GaAsP/GaP Orange	632	2.10	2.50	8.00	12.00
SB3981CY-11	SB3981AY-11	GaAsP/GaP Yellow	585	2.10	2.50	4.00	7.00
SB3981CG-11	SB3981AG-11	GaP/GaP Green	568	2.20	2.50	7.00	11.00
Units			nm	V		mcd	

Maximum Ratings $T_a=25^\circ C$ (Derate above $25^\circ C$)

Characteristic	Test Condition	Symbol	H	S	D	E	Y	G	Units
Pulse Forward Current Per Seg.	1/10 duty cycle 0.1ms Pulse width	I_{FP}	50	100	100	100	100	100	mA
DC Forward Current Per Seg.		I_F	15	25	25	30	30	30	mA
Reverse Current Per Seg.	$V_R=5V$	I_R	10	10	10	10	10	10	μA
Power Dissipation		P_D	40*15	60*15	60*15	80*15	80*15	80*15	mW
Operating Temperature		T_{OPR}	-40 to +80						$^\circ C$
Storage Temperature		T_{TSG}	-40 to +85						$^\circ C$
Lead soldering temperature	1.60mm from body maximum 3 seconds		260						$^\circ C$

Checked

Approved

Date

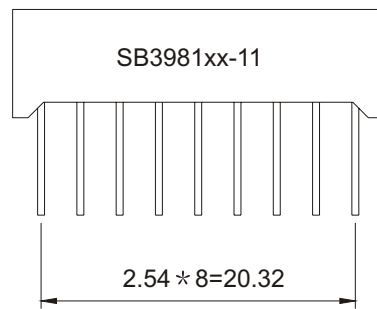
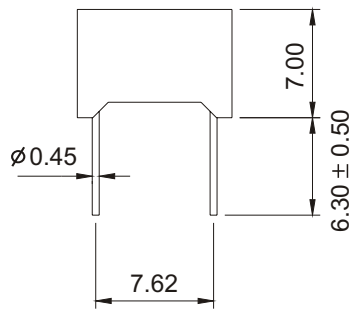
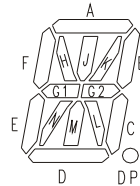
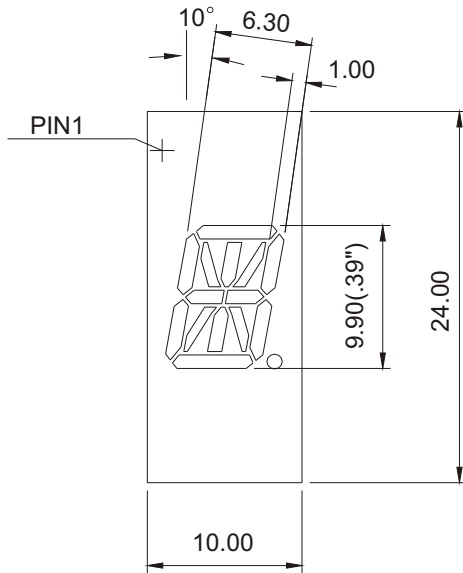
Sep/18/2012

PAGE 1/2



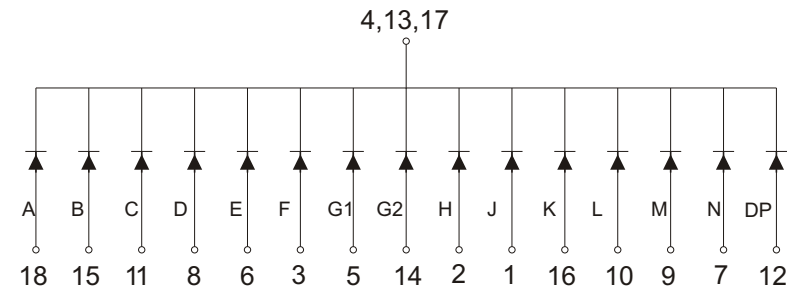
0.39" (9.90mm) Single Digit Alphanumeric Display

PACKAGE DIMENSION

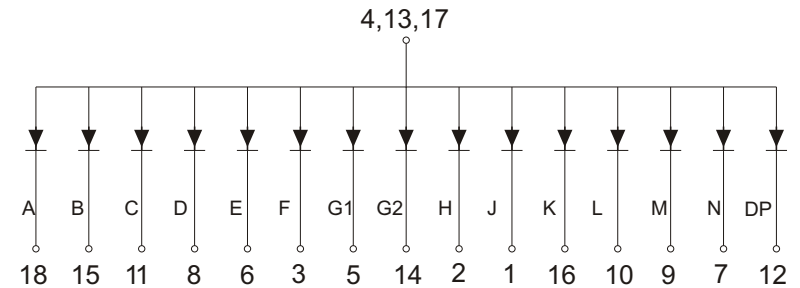


INTERNAL CIRCUIT DIAGRAM

Common Cathode
SB3981Cx



Common Anode
SB3981Ax



Tolerance $\pm 0.25\text{mm}$ unless stated

Checked

Approved

Date

Sep/18/2012

PAGE 2/2