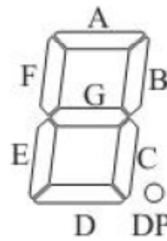
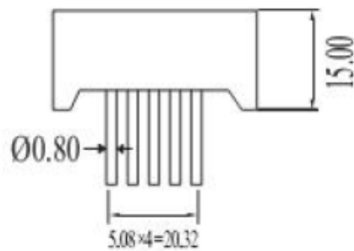
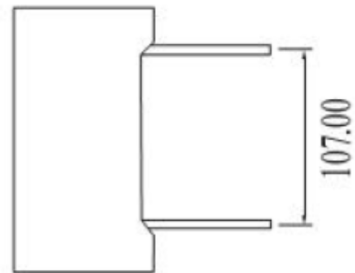
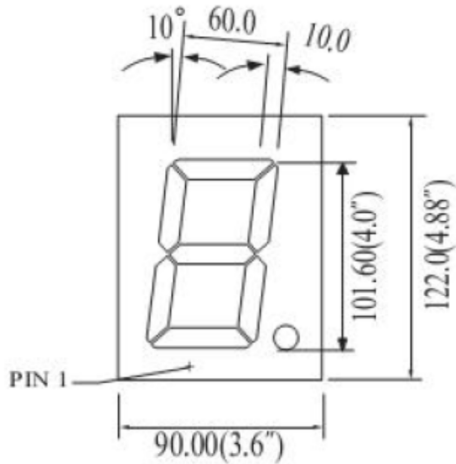


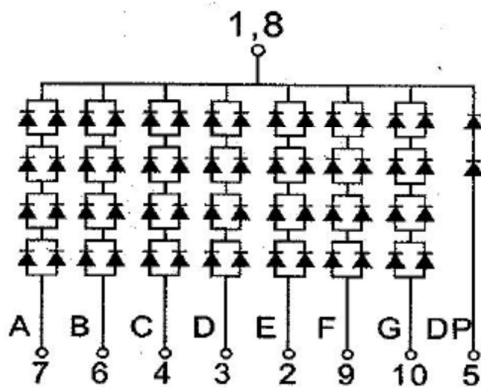
HB40011AOUSR/COUSR

Package Dimensions

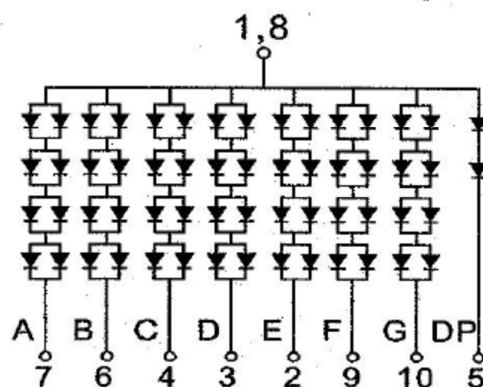


UNIT: MM(INCH) TOLERANCE: ±0.25(0.01")

Internal Circuit Diagram



HB40011COUSR



HB40011AOUSR



HB23011AUSRPG/CUSRPG

DESCRIPTION

- 101.6mm (4.0") Single digital displays series, common Anode ,black face and white segment
- Standard brightness.
- Low current operation.
- Excellent character appearance.
- Easy mounting on P.C.boards or sockets.

产品最大绝对参数值 Absolute maximum ratings (Ta=25°C)

每段参数 PARAMETER PER SEGMENT	符号 SYMBOL	最大数 MAX	单位 UNIT
反向电压 Reverse Voltage	VR	5	V/Seg
正向电流 Forward Current	IF	20	mA/Seg
峰值电流 (0.1ms) Peak Forward current(1/10 Duty Cycle)	IPEAK	120	mA/Seg
功耗 Power Dissipation	PA	120	mW/Seg
工作条件温度 Operating Temperature Range		-25°C to +85°C	
储存温度 Storage Temperature Range		-30°C to +85°C	
距离胶体 1.6mm 焊接, 温度 260°C,焊接时间最多 3 秒 Lead soldering Temperature 260°C at 1.6mm Form Body For 3 Seconds			

产品光电参数值 ELECTRICAL/OPTICAL CHARACTERISTICS (Ta=25°C)

参数 PARAMETER	符号 SYMBOL	MIN	TYP	MAX	UNIT	测试条件 Test condition
每段亮度 Luminous Intensity Per Segment	Iv	140	155	168	mcd	IF=20mA
每段正向电压 Forward Voltage Per segment 2.0V*4	VF	7.2	8.0	8.8	V	IF=20mA
小数点正向电压 Forward Voltage Per DP 2.0V*2	VF	3.6	4.0	4.4	V	IF=20mA
波长 Wavelength	$\lambda p / \lambda d$		620/625		nm	IF=20mA
半波长度 Spectrum width of half value	$\Delta \lambda$		20		nm	IF=20mA
每段反向电流 Reverse Current Per Segment	IR			10	μA	VR=5V

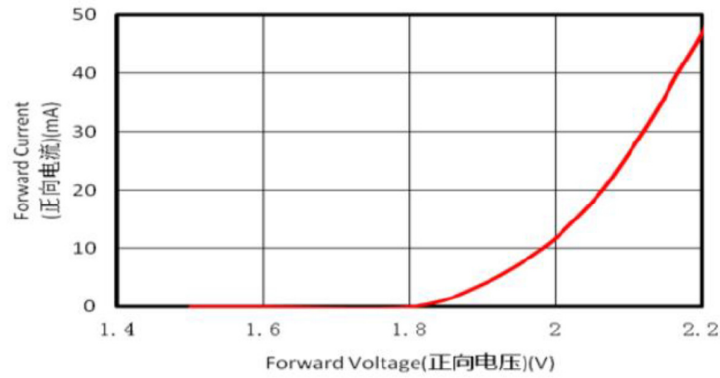
器件表面及封装颜色 Surface / Lens color

Number	0	1	2	3	4
Ref Surface Color	White	Black	Gray	Red	Green
Epoxy Color	Water clear	White Diffused	Red Diffused	Green Diffused	Yellow Diffused

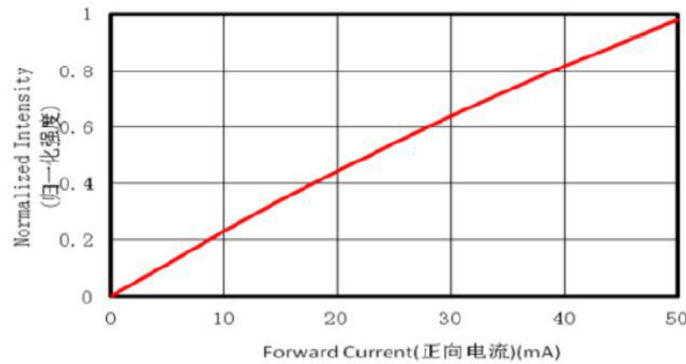
HB23011AUSRPG/CUSRPG

特性曲线 (Characteristic Curves)

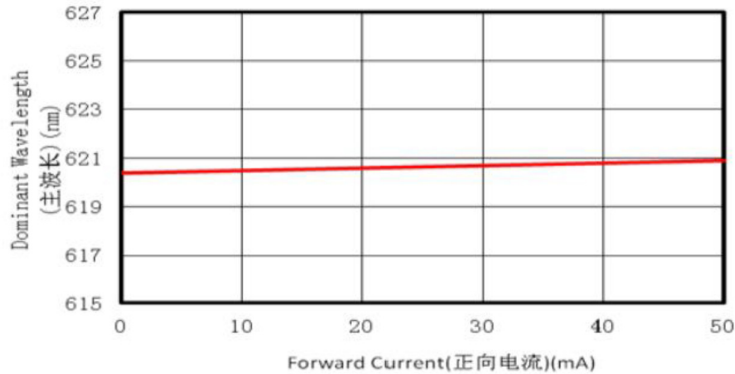
I-V 曲线 Forward Voltage Vs. Forward Current



L-I 曲线 Forward Current Vs. Relative Luminous Intensity



WLD-I 曲线 Forward Current Vs. Dominant Wavelength



Notes:

- 1、主波长的测量误差为 ± 1 nm (Tolerance of dominant wavelength is ± 1 nm)。
- 2、发光强度测量误差为 $\pm 10\%$ (Luminous intensity measured allows a tolerance of $\pm 10\%$)。
- 3、砷化镓 LED 芯片为静电敏感产品，请在运输与使用当中注意静电防护 (GaAs LEDs are ESD sensitive. Please observe appropriate precautions during handling and processing)。